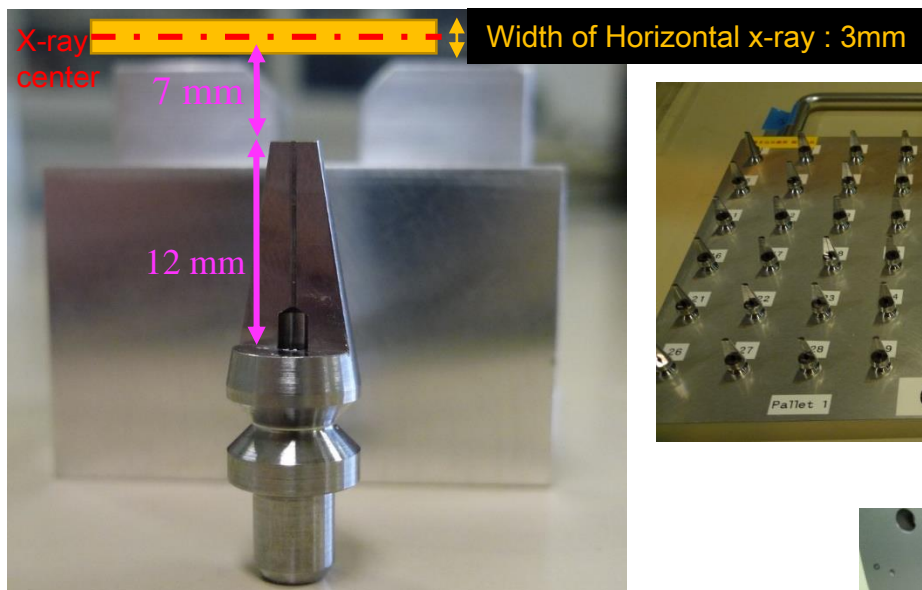


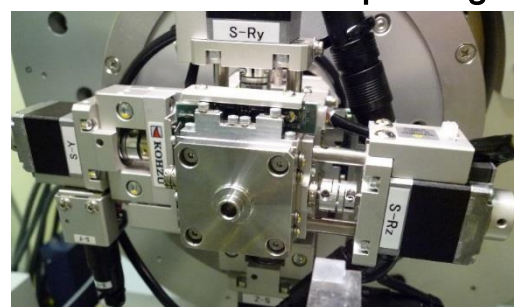
## Sample holder for capillary



Sample pallet



Sample stage



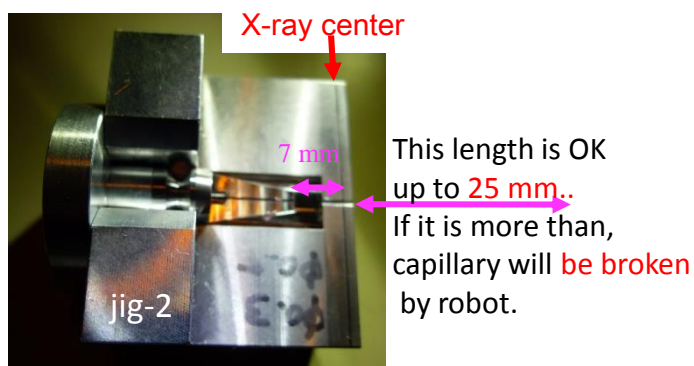
- Capillary length should be within **10 ~ 40mm**.  
**The BEST length is 25 mm.**
- Powder sample should be filled 3mm,  
**or more (~10mm) is better.**

## How to mount capillary on the sample holder

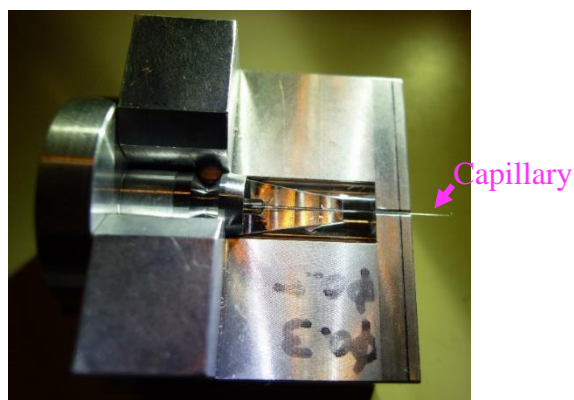
① Attach sample holder to jig-1



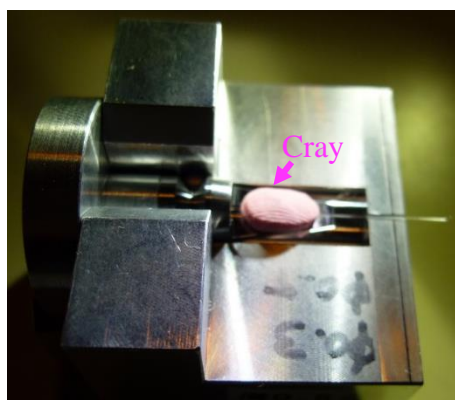
② Put the sample holder on the jig-2



③ Place the capillary on the holder.

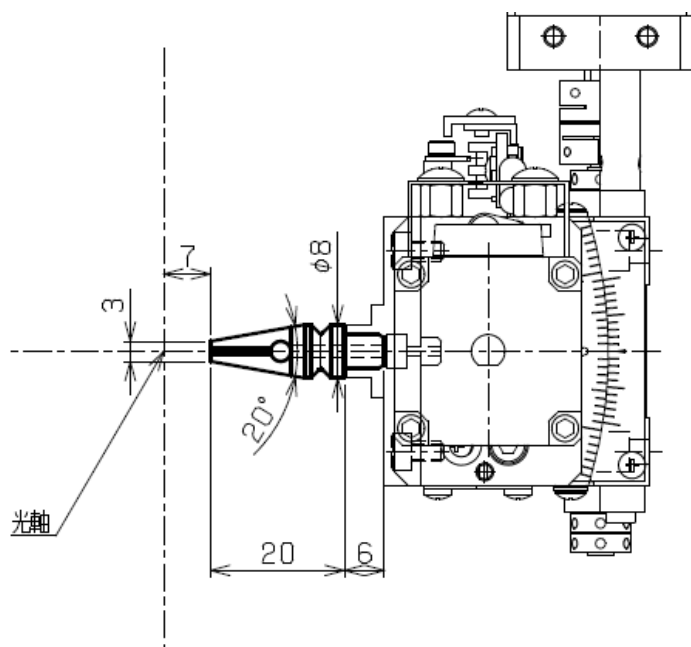


④ Fix the capillary with clay or ...



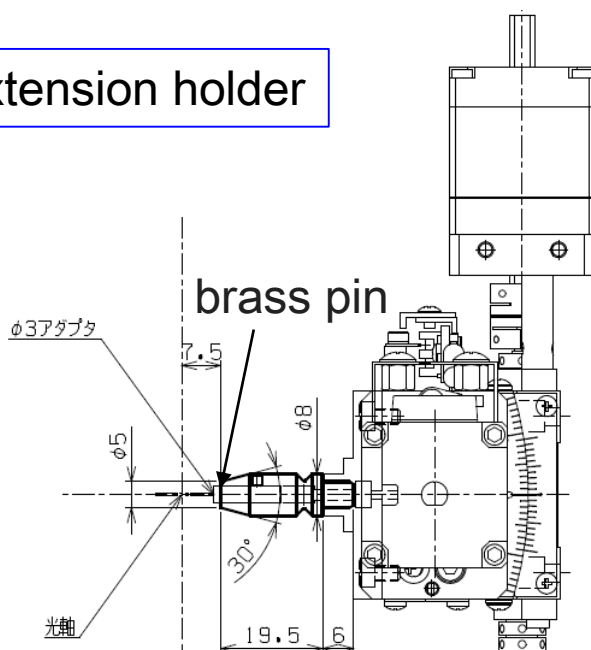
# Standard measurement

## Capillary holder



N<sub>2</sub>/He gas stream devices can be available

## Extension holder



Do not use this holder  
for sample changer.