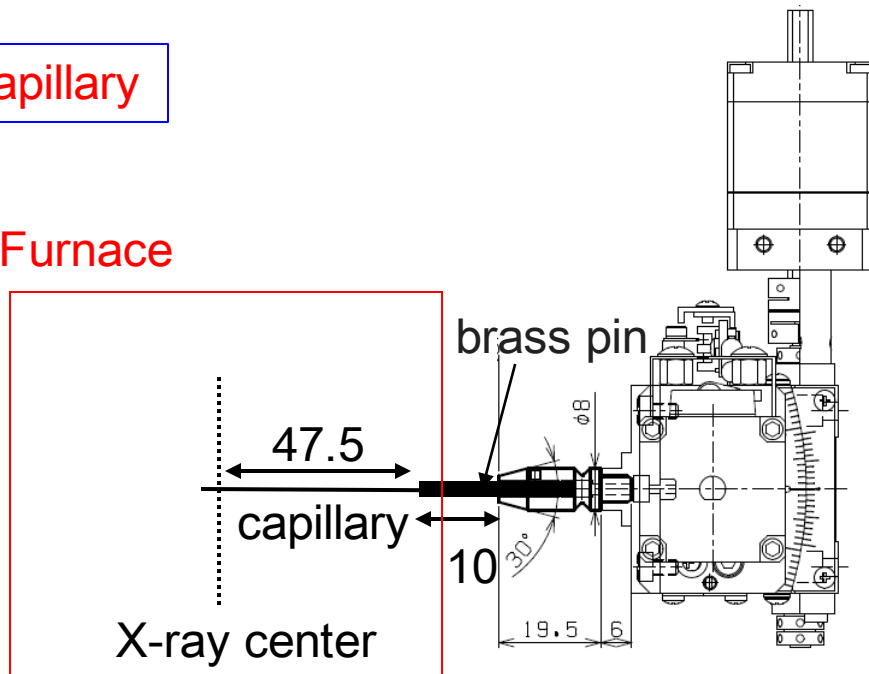


Furnace measurement

- The sample length inside capillary at X-ray center position is preferably 5-10 mm or more

Sealed capillary

Furnace



X-ray center



X-ray center

